

## Wall Mounted Sensor Hand Dryer

### PRODUCT FEATURES

- Equipped with infrared sensing device that drives a centrifugal fan and supplies hot air by a set of heaters
- Low noise motor for quiet operation
- Automatic safety cut-off timer

### PRODUCT SPECIFICATIONS

- Dimension : 267 (L) x 148 (W) x 210 (H) mm
- Material : Aluminum Alloy casing
- Operation Duration : 60 secs. Auto cut off
- Voltage Power : 220-240V AC / 50-60Hz
- Rated Power : 1100W
- Air Temperature : 50-60°C
- Motor Type : Induction Type (Brushless)
- Motor Speed : 2800 rpm
- Wind Speed : 7m/s
- Noise Level : 69 dBA
- Sensing Distance : 3.5" – 8" (Adjustable), 6" (default)
- Output Power : 970W
- Air Velocity : 10 m/s
- IP Rating : IPX2
- Weight : 4kg

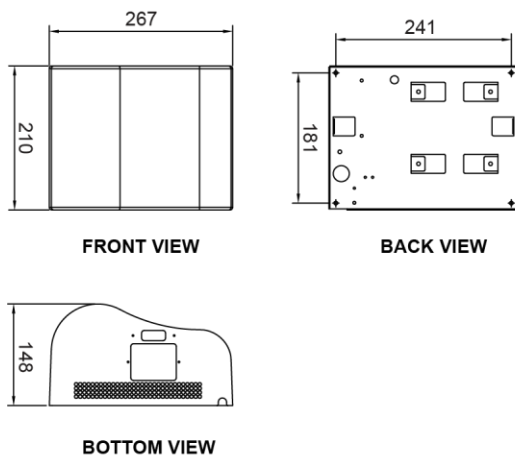


### RESOURCEFUL FEATURE:



Anti-Conflict

### TECHNICAL DRAWING



\*All dimensions are in mm

### INSTALLATION DETAILS

