

Seat Cover without Lid

PRODUCT FEATURE

- Bottom mounted

PRODUCT SPECIFICATIONS

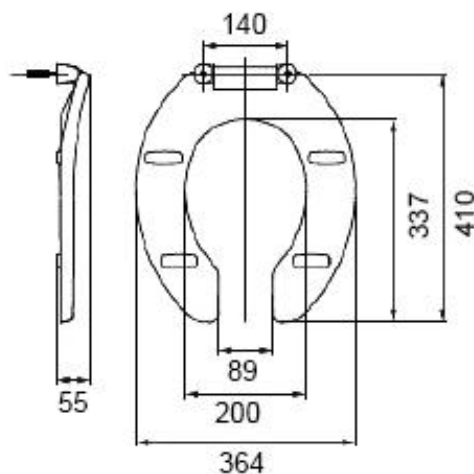
- Dimension : 410 (L) x 364 (W) x 55 (H) mm

- Material : PP

* Only applicable for WH2105 & WP2913



TECHNICAL DRAWING



Copyright © Rigel Technology (S) Pte Ltd. All rights reserved. Terms of Use.