

Wall-Hung Water Closet – Handicapped

PRODUCT FEATURES

- Wall hung low capacity water closet
- Wall hung toilet can be paired with Rigel conceal cistern or conceal box flush valve system
- BCA handicapped compliance

FLUSHING TYPE

- Wash down

PRODUCT SPECIFICATIONS

- Dimension : 755 (L) x 385 (W) x 415 (H) mm
- Inlet : Back Inlet
- Material : Vitreous China
- Trap Seal : 50mm minimum
- Minimum Water Pressure : 135 kPa
- Seat and Cover : FT-SC7030US (Urea)

DISCHARGE VOLUME

- Full Flush : 4.5 – 6 Litre per flush
- Reduced Flush : 3.0 Litre per flush



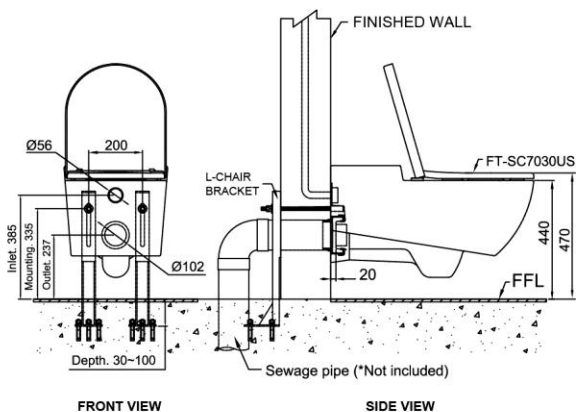
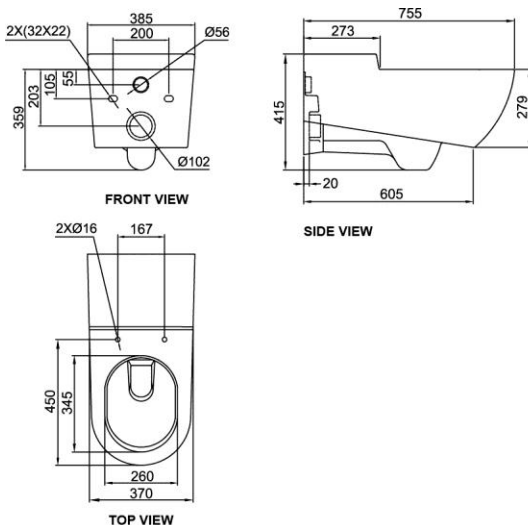
OPTIONAL FEATURE:



Anti-Bacterial
Technology

TECHNICAL DRAWING

INSTALLATION DETAILS



*Denotes recommended value.
All dimensions in mm.

Copyright © Rigel Technology (S) Pte Ltd All rights reserved. Terms of Use.