

# LH5141 & LP1106A



## Wall-Hung Lavatory with Half Pedestal

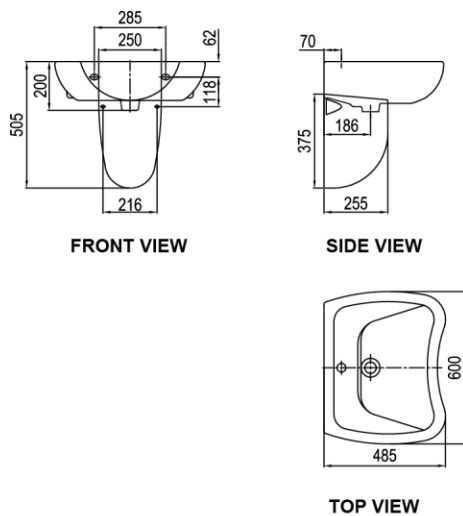
### PRODUCT FEATURES

- High gloss surface finishing
- Easy to clean surface profile

### PRODUCT SPECIFICATIONS

- Lavatory Dimension: 600 (L) x 485 (W) x 200 (H) mm
- Pedestal Dimension: 250 (L) x 255 (W) x 375 (H) mm
- Material: Vitreous China

### TECHNICAL DRAWING

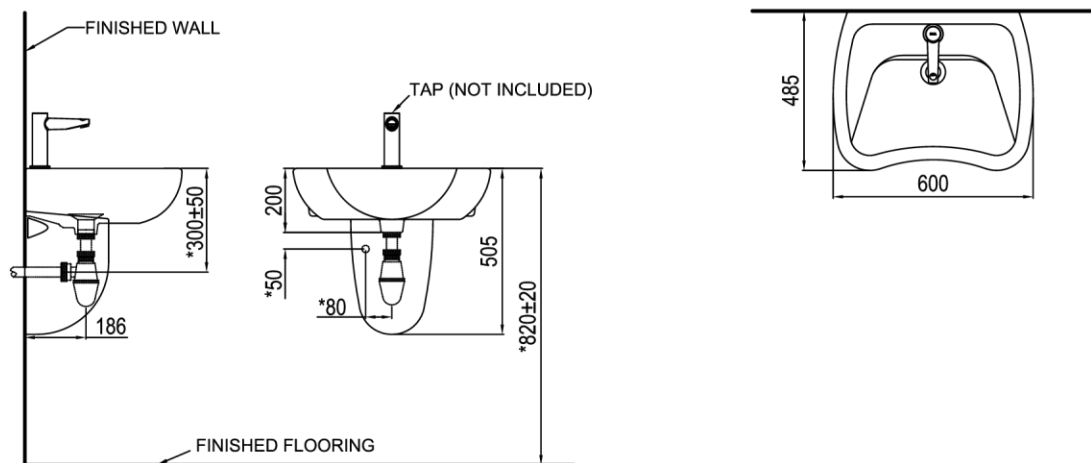


### RESOURCEFUL FEATURE:



Anti-Bacterial  
Technology

### INSTALLATION DETAILS



Copyright © Rigel Technology (S) Pte Ltd. All rights reserved. Terms of Use.