

One-Piece Water Closet

Product Features

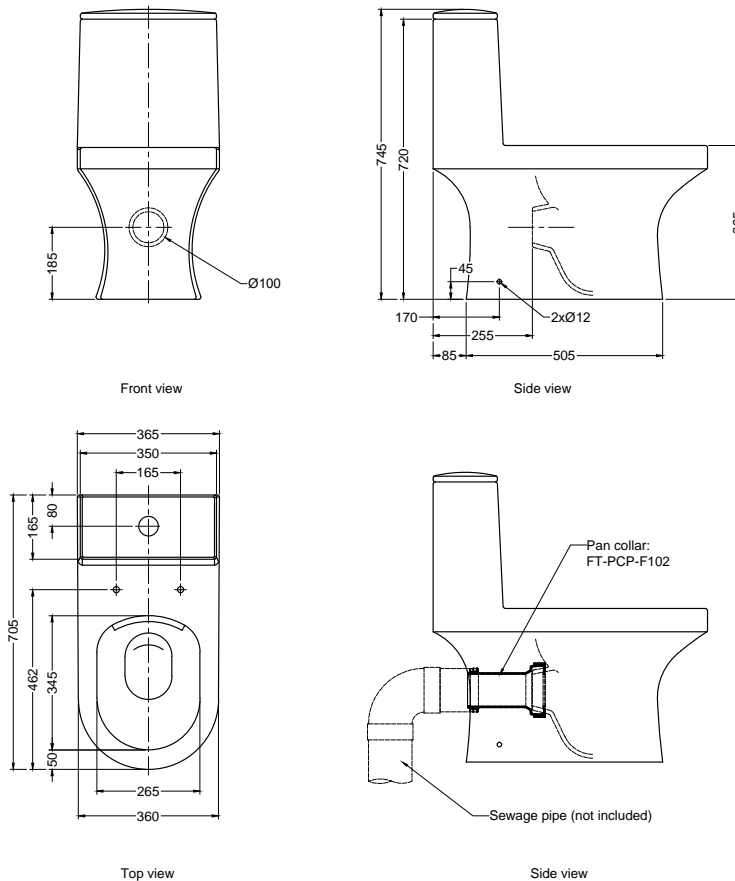
- Water-saving dual flushing system
- Universal height
- Fully glazed trap-way
- Easy installation and maintenance
- ZeroRim – No rim design for easy cleaning

Product Specification

- Dimension : 705(L) x 365(W) x 745(H)mm
- Material : Vitreous China
- Rough in (P-Trap) : 185mm
- Water inlet connection : Bottom inlet
- Minimum water pressure : 55 kPa
- Seat & Cover : FT-SC0241US (Urea) - Default
: FT-SC0234PS (PP)
- Discharge volume : 4.5 Litre/ full flush
: 3.5 Litre/ reduced flush



Technical Drawing



All dimension are in mm.

Copyright © Rigel Technology. (S) Pte Ltd All rights reserved.

Rev	2.0
Date	11.03.2021

DISCLAIMER : While every effort has been made to ensure factual accuracy, the information presented is subject to changes due to requirements in different sites, markets and / or countries. Rigel reserves the right to make the necessary amendments at any time without prior notice.