

Wall-Hung Rimless Water Closet

PRODUCT FEATURES

- Wall hung low capacity water closet
- Wall hung toilet can be paired with Rigel conceal cistern or conceal box flush valve system
- Rimless design that prevents dirt accumulation
- Easy maintenance

FLUSHING TYPE

- WhirlWash Flushing – Improved flushing efficiency

PRODUCT SPECIFICATIONS

- Dimension : 580 (L) x 360 (W) x 345 (H) mm
- Inlet : Back Inlet
- Material : Vitreous China
- Trap Seal : 50mm minimum
- Minimum Water Pressure : 135 kPa
- Seat and Cover : FT-SC0121PS (PP)

DISCHARGE VOLUME

- Full Flush : 4.5 – 6 Litre per flush
- Reduced Flush : 3.0 Litre per flush

* (Only applicable when coupled with Rigel Concealed Cistern)



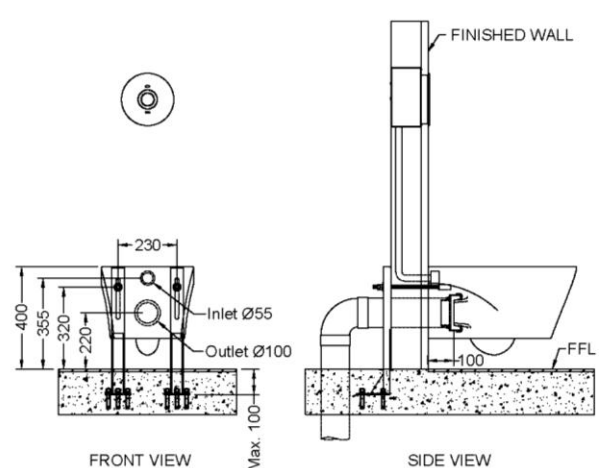
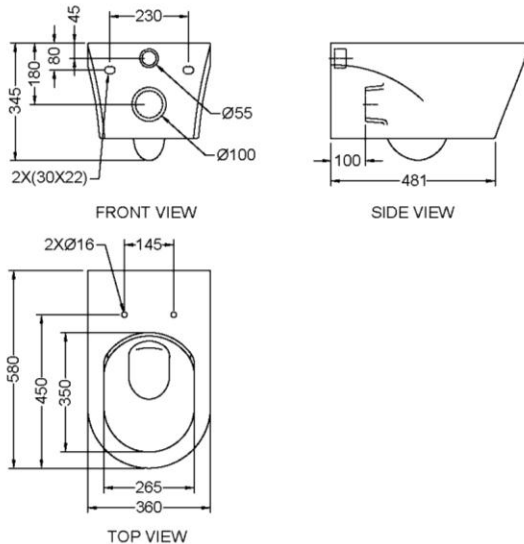
OPTIONAL FEATURE:



Anti-Bacterial Technology

TECHNICAL DRAWING

INSTALLATION DETAILS



*Denotes recommended value.
All dimensions in mm.

Copyright © Rigel Technology (S) Pte Ltd All rights reserved. Terms of Use.