

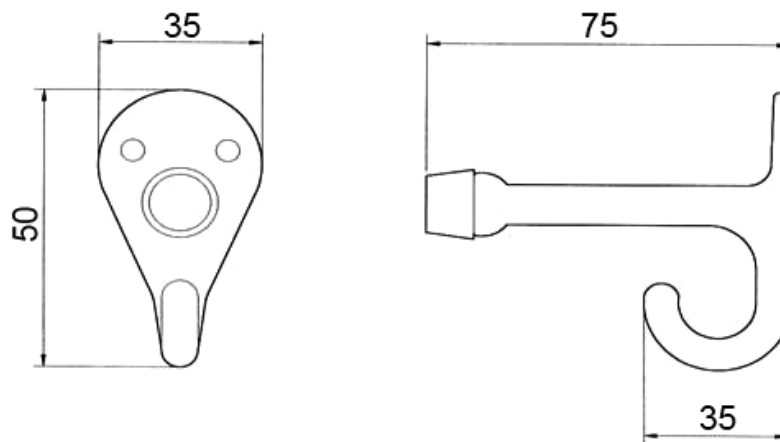
## Robe Hook

### PRODUCT SPECIFICATIONS

- Dimension : 75 (L) x 35 (W) x 50 (H) mm
- Material : Stainless Steel 304



### TECHNICAL DRAWING



Copyright © Rigel Technology (S) Pte Ltd. All rights reserved. Terms of Use.