

Wall-Hung Water Closet

PRODUCT FEATURES

- Wall hung low capacity water closet
- Wall hung toilet can be paired with Rigel conceal cistern or conceal box flush valve system

FLUSHING TYPE

- Wash down

PRODUCT SPECIFICATIONS

- Dimension : 600 (L) x 365 (W) x 380 (H) mm
- Inlet : Back Inlet
- Material : Vitreous China
- Trap Seal : 50mm minimum
- Minimum Water Pressure : 135 kPa
- Seat and Cover : FT-SC0111PS (PP)

DISCHARGE VOLUME

- WELS Rating : Excellent ✓✓✓
- Full Flush : 3.5 Litre per flush
- Reduced Flush : 2.5 Litre per flush
- Water Saving : 22 %

* (Only applicable when coupled with Rigel Concealed Cistern)

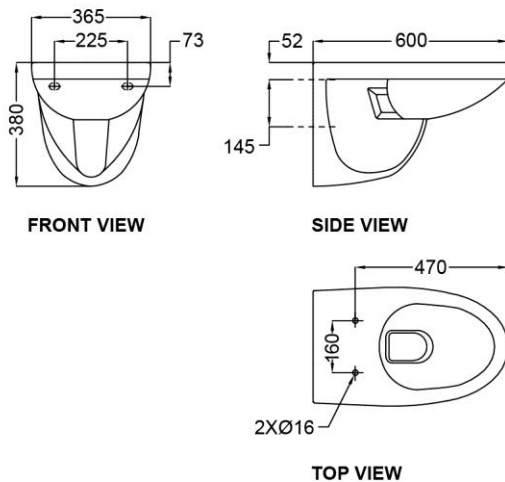


OPTIONAL FEATURE:

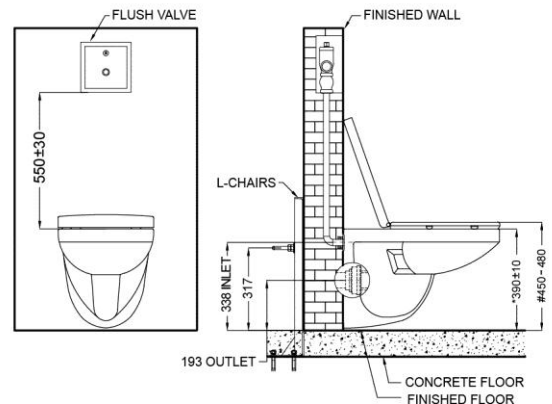


Anti-Bacterial
Technology

TECHNICAL DRAWING



INSTALLATION DETAILS



STANDARD (*) - 390±10 from floor finishing to the rim of water closet.
HANDICAPPED (#) - 450 ~ 480 from floor finishing to the top of the water closet seat.
750 from the front edge of the water closet to the rear wall.

Copyright © Rigel Technology (S) Pte Ltd All rights reserved. Terms of Use.